

# NIKA ZUPANC®

## *Black Cherry*



DESIGN: NIKA ZUPANC | YEAR OF DESIGN: 2010 | PRODUCT CODE: LCB10 | PRODUCTION: Handmade

#### DESCRIPTION:

Suspended lamp

#### MATERIALS:

Globe: hand-blown glass - Murano - Made in Italy; Frame: painted steel

#### TECHNICAL:

**CE** Input voltage of 220–240V ~50Hz/60Hz AC  
1x E27, 2x E27 or 3x E27

#### Preferred bulbs:

1. PHILIPS MASTER LED Spot 9,5W-75W E27 2700K PAR30 S 25D
2. 14W (75W) OSRAM SUPERSTAR REFLECTOR Energy Saver, warm white 2700K or
3. OSRAM Halopar Reflector bulb 75W MAX (or similar);
4. for white shade can also be used: OSRAM DULUX SUPERSTAR GLOBE 14W

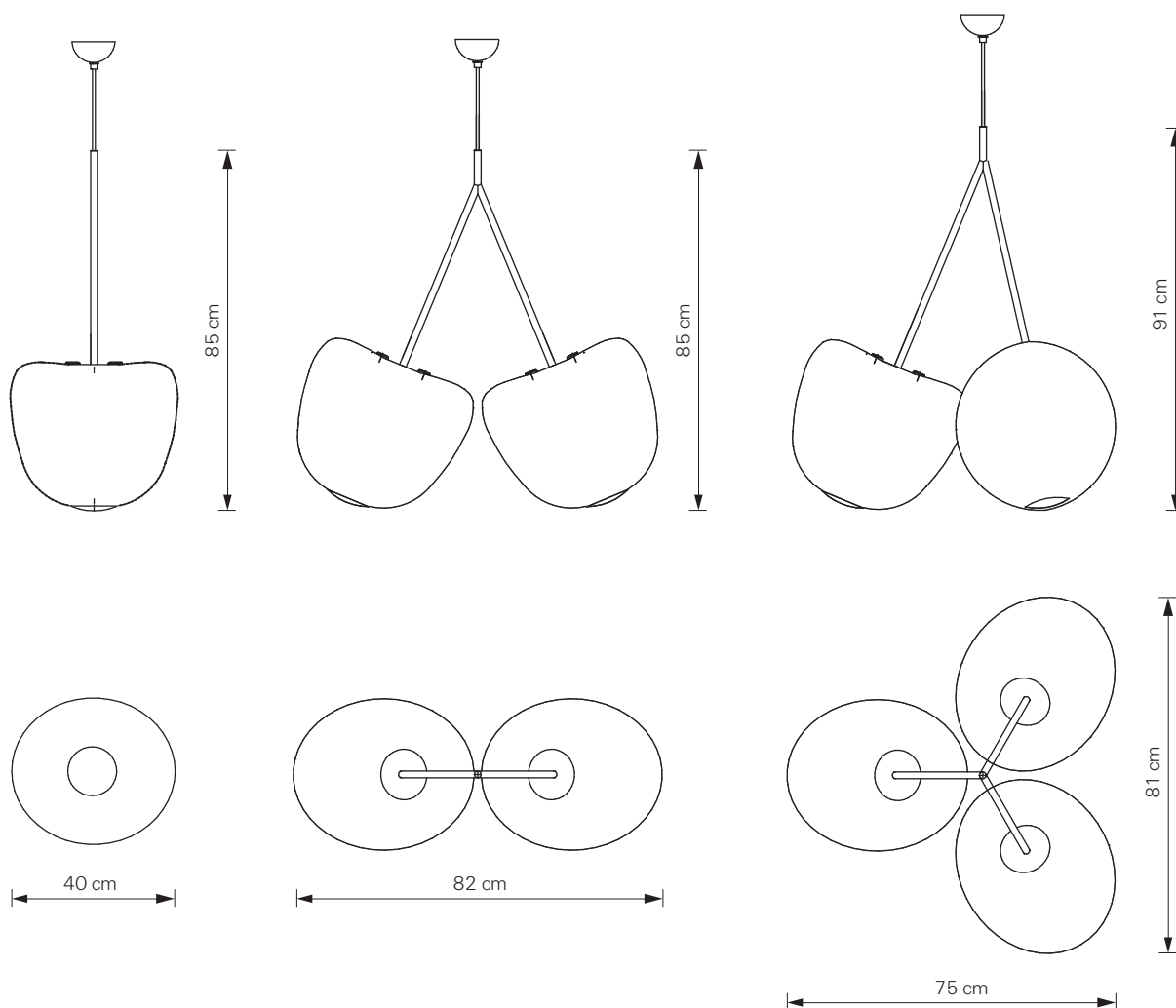
CABLE LENGTH 4 m (10 m available on request)  
Steel Canopy

#### COLORS:



# NIKA ZUPANC®

## Black Cherry



DESIGN: NIKA ZUPANC | YEAR OF DESIGN: 2010 | PRODUCT CODE: LBCB10 | PRODUCTION: Handmade

### DIMENSIONS

PRODUCT DIMENSIONS:	one cherry: 40 (W) x 36 (D) x 85 (H) cm two cherries: 82 (W) x 36 (D) x 85 (H) cm three cherries: 75 (W) x 81 (D) x 91 (H) cm
PRODUCT WEIGHT:	one cherry: 5,5 KG two cherries: 12 KG three cherries: 17 KG
PACKAGING DIMENSIONS:	one cherry: 52 (W) x 47 (D) x 65 (H) cm two cherries: 90 (W) x 62 (D) x 56 (H) cm three cherries: 92 (W) x 90 (D) x 76 (H) cm
PACKAGE WEIGHT:	one cherry: 7 KG two cherries: 13 KG three cherries: 18,5 KG

Packed in cardboard with PE inserts

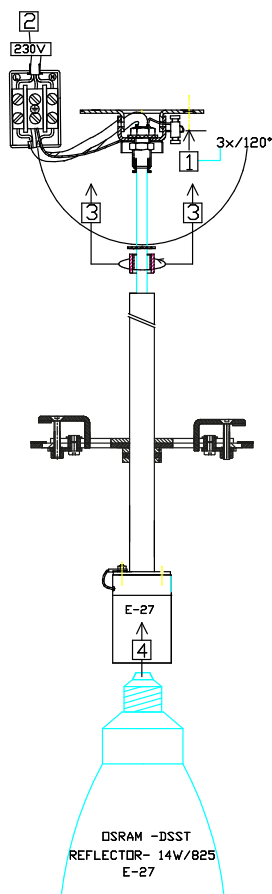
### CLEANING INSTRUCTIONS

The glass globes should first be cleaned with a dry cloth or duster to remove loose dust particles. Then, a good smear-free glass cleaner and cloth can be used to enhance the reflective sheen of the glass.

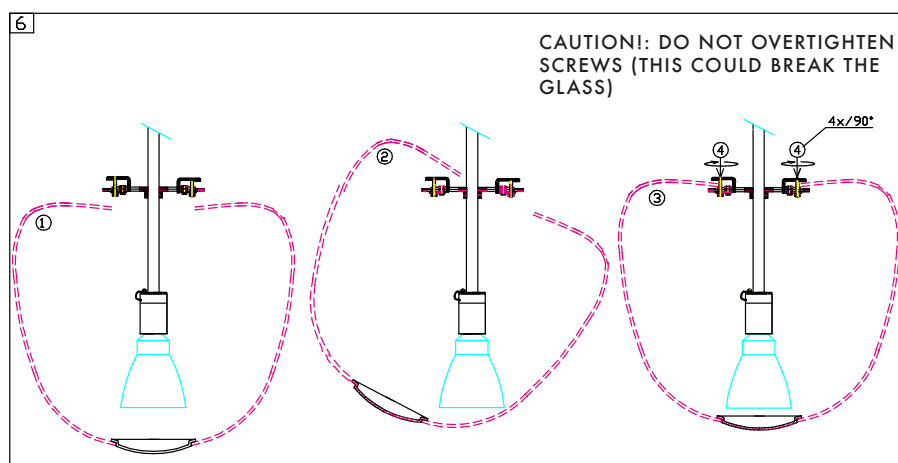
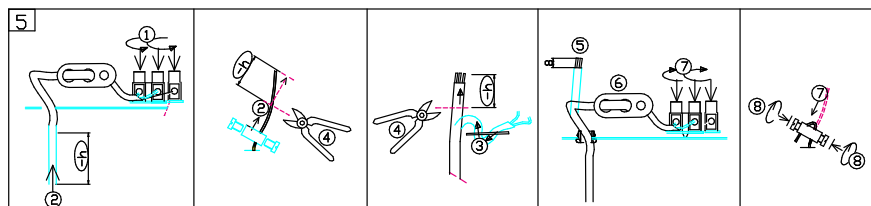
# NIKA ZUPANC®

## Black Cherry

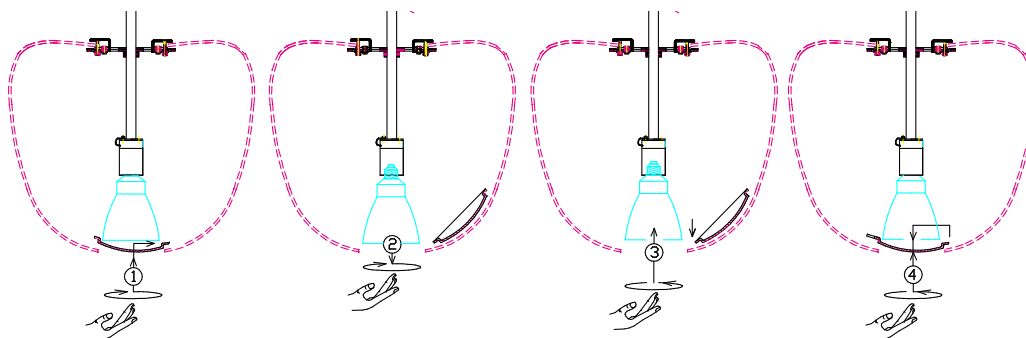
### ASSEMBLY INSTRUCTIONS



**CAUTION!** For lamp LBCB10-03 there are two cords that have to be assembled! Both have to carry weight of the lamp. Do not assemble lamp with only one cord!



### CHANGING BULBS



#### WARNING!

The safety of this fitting can only be guaranteed if these instructions are observed, during both installation and use. Please retain these safety instructions.

#### REMARKS:

- Method of attachment of the cable or cord such that any replacement can only be made by the manufacturer, his service agent or similar qualified person.
- Before installing carefully check glass globes. If there are any cracks or damage to the glass do not install them / also, immediately remove shades if you find cracks or damages during use.
- When installing or working on this appliance, ensure that the power supply has been switched off.

- This appliance may in no way be modified or tampered with, any modification may compromise safety and make the appliance dangerous. LFM declines all responsibility for products that are modified.

- This appliance must be connected to an effective grounding system in order to work safely and properly.

- The symbol shown on the device indicates that the product must be disposed of in a special way, not through the ordinary trash collection service.

#### INSTRUCTIONS

To avoid danger of suffocation, remove plastic cover before using the article. This cover should then be destroyed or kept out of reach of infants.

# NIKA ZUPANC®

## Tapisserie



DESIGN : NIKA ZUPANC | YEAR OF DESIGN : 2009 | PRODUCT CODE: ST09-01 | PRODUCTION : Hand made in Italy

### DESCRIPTION:

Two-seater sofa - frame in piano black high gloss finish  
Assorted upholstery : 1 removable seat cushion / 1 removable back cushion / 2 loose cushions

### MATERIALS

#### FRAME / STRUCTURE:

Wooden frame : brench plywood, fiberglas coat, colored and lacquered in pianoblack high gloss color

#### LEGS:

Alluminium casted legs colored and lacquered in pianoblack high gloss color

#### UPHOLSTERY:

SEAT CUSHION COVER: Cabana by Sahco / 100 PAN / cover removable - dry cleaning

BACK CUSHION: Silkwood by Sacho /100 WO + Loop by Sahco 100PES / covers are not removable

LOOSE CUSHIONS: Silkwood by Sacho /100 WO + Loop by Sahco 100PES / covers are not removable



#### UPHOLSTERY COLOURS: BORDEAUX RED COLOUR RANGE



#### BLACK COLOUR RANGE

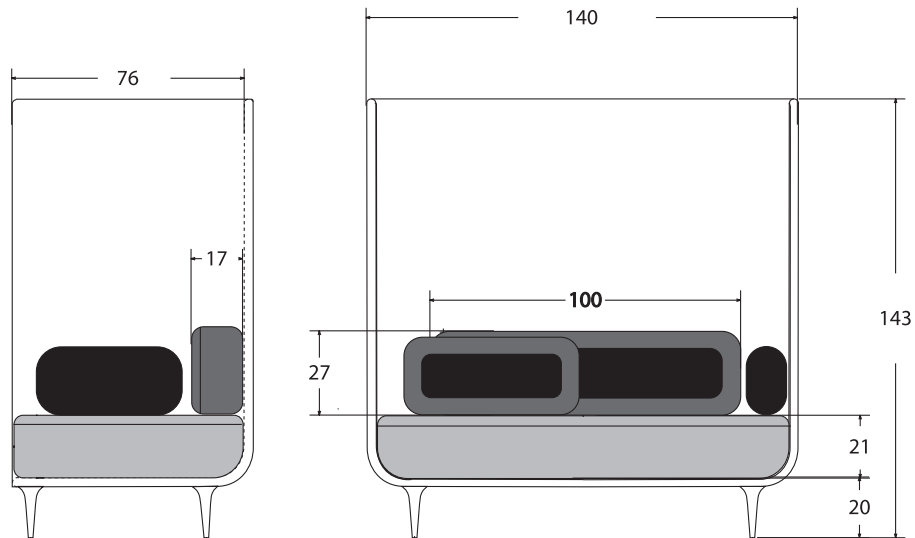


#### BLUE COLOUR RANGE



# NIKA ZUPANC®

## *Tapisserie*



DESIGN : NIKA ZUPANC | YEAR OF DESIGN : 2009 | PRODUCT CODE: ST09-01 | PRODUCTION : Hand made in Italy

### TECHNICAL

PRODUCT DIMENSIONS: 140 (W) x 76 (D) x 143 (H)

PRODUCT WEIGHT: \_ \_

### PACKAGING

PACKAGING DIMENSIONS : 160 (W) x 90 (D) x 160 (H)

PACKAGE WEIGHT: 45 KG

Tapisserie is packed in light plywood flight case.

### MAINTAINANCE

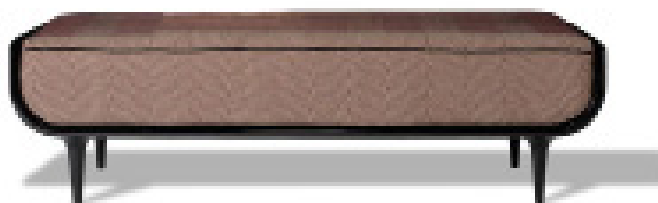
Using a good multi-surface spray cleaner and/or a trusted furniture polish with a soft cloth is recommended.

Do not use abrasive cloths or substances and always read the label of any product you wish to use.

For further assistance on how to clean this item please contact your nearest LFM Nika Zupanc agent.

# NIKA ZUPANC®

## *Tapisserie bench*



DESIGN : NIKA ZUPANC | YEAR OF DESIGN : 2009 | PRODUCT CODE: BT09-01 | PRODUCTION : Hand made in Italy

### DESCRIPTION:

Two-seater sofa - frame in piano black high gloss finish  
Assorted upholstery : 1 removable seat cushion

### MATERIALS

#### FRAME / STRUCTURE:

Wooden frame : brench plywood, fiberglas coat, colored and lacquered in pianoblack high gloss color

#### LEGS:

Alluminium casted legs colored and lacquered in pianoblack high gloss color

#### UPHOLSTERY:

SEAT CUSHION COVER: Cabana by Sahco / 100 PAN | cover removable /dry cleaning

#### UPHOLSTERY COLOURS:

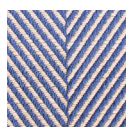
BORDEAUX RED COLOUR RANGE



BLACK COLOUR RANGE

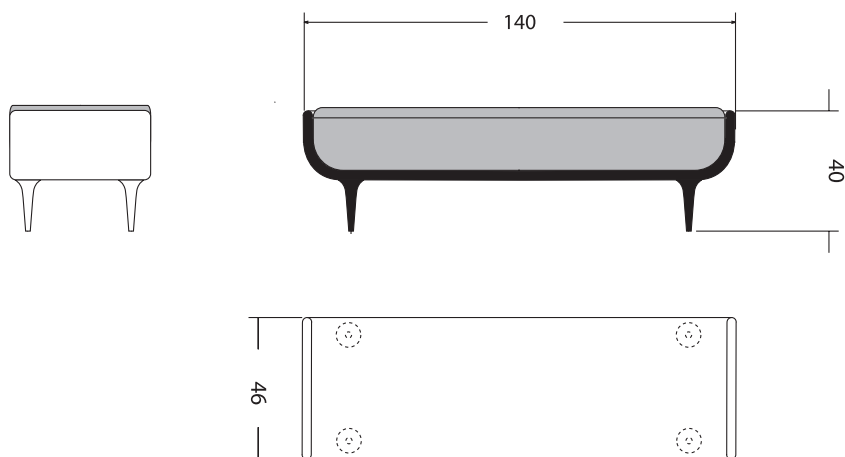


BLUE COLOUR RANGE



# NIKA ZUPANC®

## *Tapisserie bench*



DESIGN : NIKA ZUPANC | YEAR OF DESIGN : 2009 | PRODUCT CODE: BT09-01 | PRODUCTION : Hand made in Italy

### TECHNICAL

PRODUCT DIMENSIONS: 140 (W) x 46 (D) x 40 (H) cm

PRODUCT WEIGHT: \_\_

### PACKAGING

PACKAGING DIMENSIONS : 160 (W) x 56 (D) x 50 (H) cm

PACKAGE WEIGHT: \_\_ KG

Tapisserie bench is packed in light plywood flight case.

### MAINTAINANCE

Using a good multi-surface spray cleaner and/or a trusted furniture polish with a soft cloth is recommended.

Do not use abrasive cloths or substances and always read the label of any product you wish to use.

For further assistance on how to clean this item please contact your nearest LFM Nika Zupanc agent.

# NIKA ZUPANC®

## Phonique



DESIGN : NIKA ZUPANC | YEAR OF DESIGN : 2009 | PRODUCT CODE: SP09-01 | PRODUCTION : Hand made in Italy

### DESCRIPTION:

Three - seater sofa / frame in piano black high gloss finish / assorted upholstery : 1 removable seat cushion | 1 removable back cushion | 2 loose cushions

### MATERIALS

#### FRAME / STRUCTURE:

Wooden frame : beech plywood, fibreglas coat, colored and lacquered in pianoblack high gloss color

#### LEGS:

Alluminium casted legs colored and lacquered in pianoblack high gloss color

#### UPHOLSTERY:

SEAT CUSHION COVER: Cabana by Sahco / 100 PAN | cover removable /dry cleaning

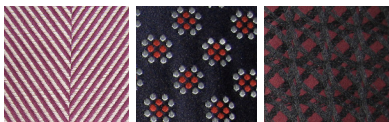
BACK CUSHION: Silkwood by Sacho /100 WO + Loop by Sahco 100PES | covers are not removable

LOOSE CUSHIONS: Silkwood by Sacho /100 WO + Loop by Sahco 100PES | covers are not removable

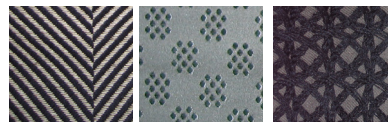


#### UPHOLSTERY COLOURS:

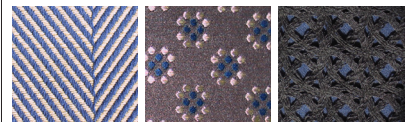
##### BORDEAUX RED COLOUR RANGE



##### BLACK COLOUR RANGE



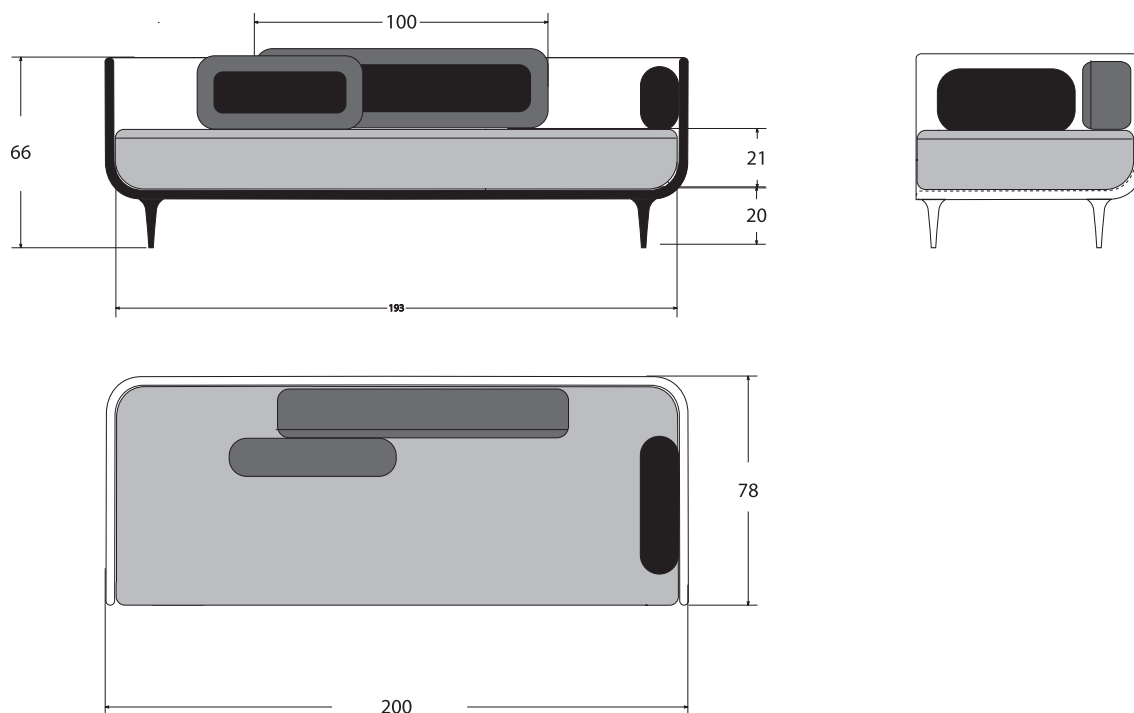
##### BLUE COLOUR RANGE





# NIKA ZUPANC®

## Phonique



DESIGN : NIKA ZUPANC | YEAR OF DESIGN : 2009 | PRODUCT CODE: SP09-01 | PRODUCTION : Hand made in Italy

### TECHNICAL

PRODUCT DIMENSIONS: 200 (W) x 78 (D) x 66 (H) cm

PRODUCT WEIGHT: \_\_

### PACKAGING

PACKAGING DIMENSIONS : 210 (W) x 88 (D) x 76 (H)

PACKAGE WEIGHT: 45 KG

Phonique is packed in light plywood flight case.

### MAINTAINANCE

Using a good multi-surface spray cleaner and/or a trusted furniture polish with a soft cloth is recommended.

Do not use abrasive cloths or substances and always read the label of any product you wish to use.

For further assistance on how to clean this item please contact your nearest LFM Nika Zupanc agent.

# NIKA ZUPANC®

*Boris, Vladimir, Aleksander*



DESIGN : NIKA ZUPANC | YEAR OF DESIGN : 2009 | PRODUCT CODE: CRB09-01 | PRODUCTION : Hand made

## DESCRIPTION:

Cradle for babies

## MATERIALS

### FRAME / STRUCTURE:

Basket: laser cut acryl or wood; sledges: laser cut acryl

### PARTS:

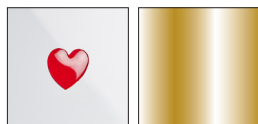
Legs: brass, brass chromed, brass painted, hearts: laser cut acryl (solid and transparent)

### MATTRESS:

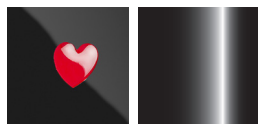
latex, Cover: 100% cotton, removabe and washable.

## COLOR COMBINATIONS:

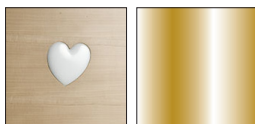
WHITE / GOLD



BLACK / BLACK



CHERRY or WOOD / GOLD

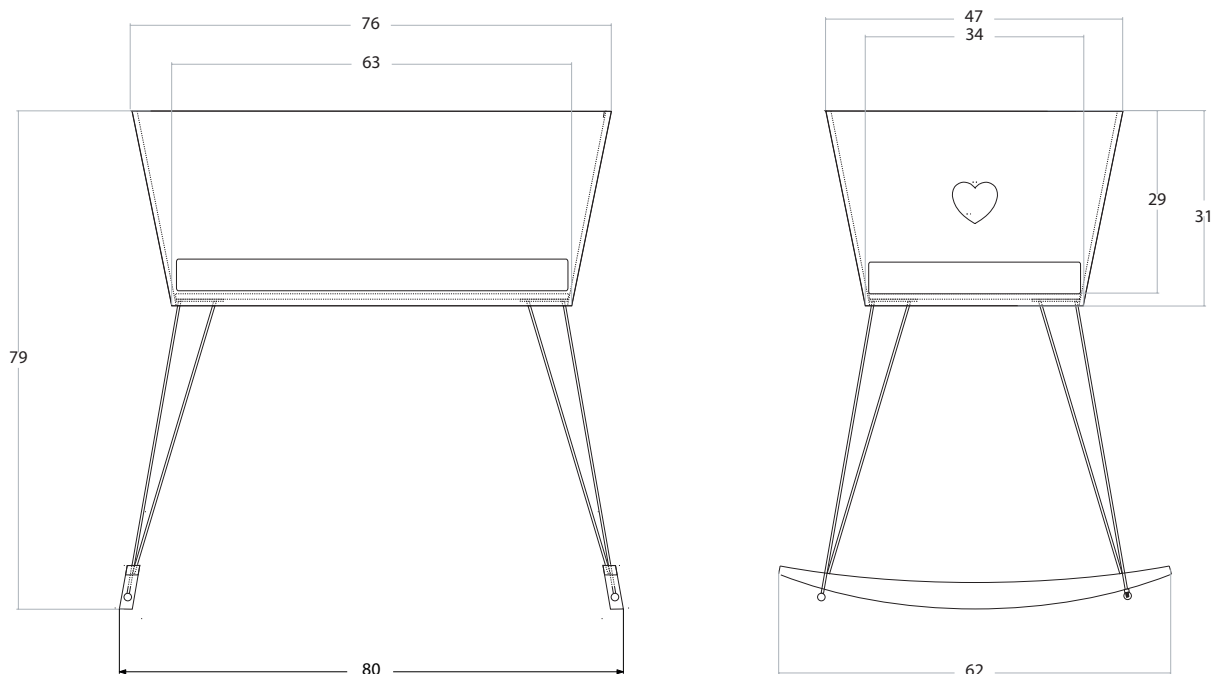


TRANSPARENT / CHROME



# NIKA ZUPANC®

*Boris, Vladimir, Aleksander*



DESIGN : NIKA ZUPANC | YEAR OF DESIGN : 2009 | PRODUCT CODE: CRB09-01 | PRODUCTION : Hand made

## TECHNICAL

PRODUCT DIMENSIONS: 80 (W) x 62 (D) x 79 (H) cm

PRODUCT WEIGHT: 10,5 KG

## PACKAGING

PACKAGING DIMENSIONS : 90 (W) x 75 (D) x 89 (H) cm

PACKAGE WEIGHT: 4,5 KG

Cradle is placed in protective air filled bubble foil and packed in PP cardbox with PE inserts

## MAINTAINANCE

Acrylic parts: Remove dirt with a soft sponge, using plenty of water. Important: use no cleaning substances. Fuel and chemical solvents can damage the material.

Metal legs: Regular dusting with a camelhair brush or soft cloth is sufficient together with occasional washing with warm mild soapy water; never use hot water. Important: brass legs must never be cleaned with metal polishes or aerosol spray polishes. This will damage the lacquer coating and cause early discoloration.

## INSTRUCTIONS

IMPORTANT. RETAIN FOR FUTURE REFERENCE. READ CAREFULLY

To avoid danger of suffocation, remove this plastic cover before using the article. This cover should then be destroyed or kept away from babies and small children.

This cradle should be placed on a horizontal floor.

Do not use the cradle if any part is broken, torn, or missing.

Young children should not be allowed to play unsupervised near this cradle.

This cradle may not be used for children after they are able to sit, roll over, kneel, or pull themselves up.

A child should never be left unsupervised in the cradle.

All assembly fittings should always be tightened properly and care should be taken that no screws are loose because they could catch children's body parts or clothing (e.g. strings, necklaces, ribbons, pacifiers, etc.), posing a risk of strangulation.

The thickness of any other mattress used must be such that the internal vertical height (from the top of the mattress to the upper edge of the bed sides) is at least 200 mm at the highest position of the bed base.

Be aware of the risk of open flames and other sources of strong heat, such as space heaters, gas burners, etc. (maintain a distance of at least 2 m).

This product comply with European standard SIST EN 1130-1, 1130-2

Support +386 51 690 009

# NIKA ZUPANC<sup>®</sup>

*Konstantin B*



DESIGN : NIKA ZUPANC | YEAR OF DESIGN : 2009 | PRODUCT CODE: KB09-01 | PRODUCTION : Hand made

## DESCRIPTION:

Activity toy, accessory

## MATERIALS

### FRAME / STRUCTURE:

Body shell: fiberglas, colored and lacquered in pianoblack high gloss finish

### PARTS:

Aluminium or brass casted parts, polished / lacquered

Steering mechanism: plastic and metal parts

Rubber tyres

## COLORS:

BLACK    WHITE    RED    YELLOW    GREEN

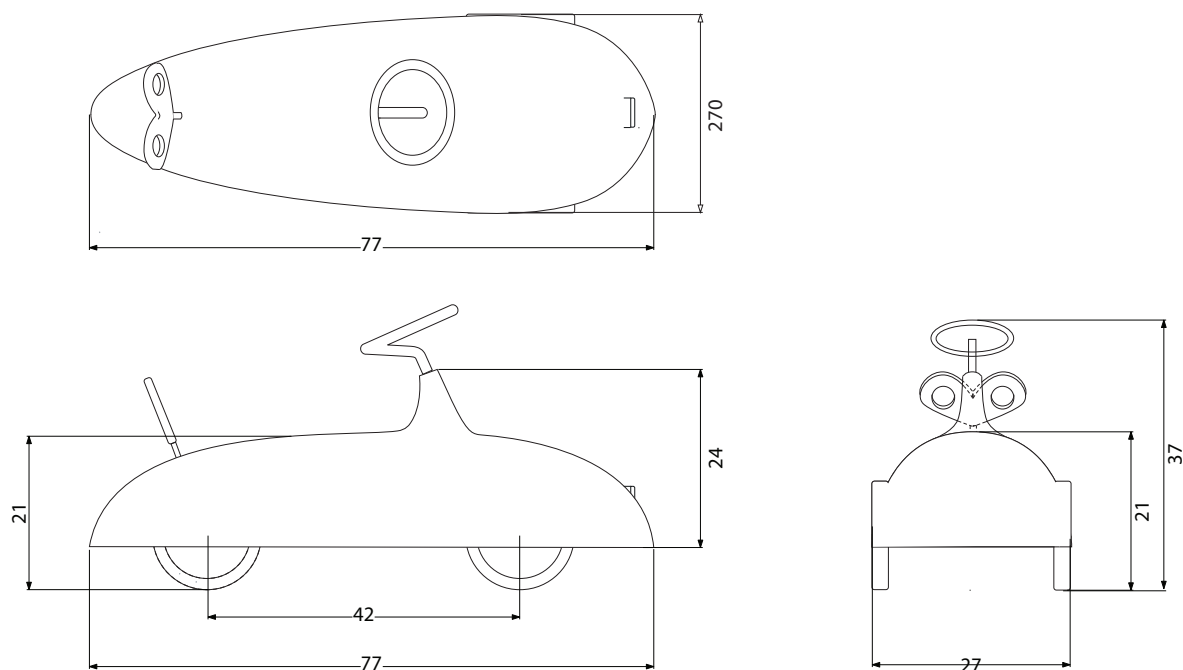


SILVER / GOLD PARTS



# NIKA ZUPANC®

*Konstantin B*



DESIGN : NIKA ZUPANC | YEAR OF DESIGN : 2009 | PRODUCT CODE: KB09-01 | PRODUCTION : Hand made

## TECHNICAL

PRODUCT DIMENSIONS: 77 (W) x 27 (D) x 37 (H)

PRODUCT WEIGHT (aluminum parts): 5,2 KG; PRODUCT WEIGHT (brass parts): ?? KG

## PACKAGING

PACKAGING DIMENSIONS : 85 (W) x 37 (D) x 43 (H)

PACKAGE WEIGHT: 7,4 KG together (aluminum parts), 8,4 KG together (brass parts)

Konstantin B is placed in protective textile bag and packed in PP cardbox with PE inserts

## MAINTAINANCE

The body: Remove dirt with a soft sponge, using plenty of water. Attention!: Use no cleaning substance. Fuel and chemical solvents attack the material.

The metal parts: Regular dusting with a camel hair brush or soft cloth should be sufficient together with an occasional wash with warm mild soapy water, never use hot water. Attention: Brass parts must never be cleaned with metal polishes or aerosol spray polishes. The lacquer coating will be damaged and this will cause early discolouration.

## INSTRUCTIONS

To avoid danger of suffocation, remove this plastic cover before using the article. This cover should then be destroyed or kept away from babies and children.

Activity toy should be placed on a horizontal floor.

Do not use the activity toy if any part is broken, torn or missing.

Do not use activity toy for children under 16 months.

Never leave the child playing with this activity toy car unattended.

All assembly fittings should always be tightened properly and care should be taken that no screws are loose, because a child could trap parts of the body or clothing (e.g. strings, necklaces, ribbons for babies dummies, etc.) Which would pose risk of strangulation.

Be aware of the risk of open fires and other sources of strong heat, such as electric bar fires, gas fires, etc. (the distance should always be at least 2m)

Support +386 51 690 009

# NIKA ZUPANC®

## *Sugar Cube*



DESIGN : NIKA ZUPANC | YEAR OF DESIGN : 2010 | PRODUCT CODE: SCB10-01 | PRODUCTION : Rotomolding

### DESCRIPTION:

container, small table, seat

### MATERIALS

PE (recyclable)



### COLORS:

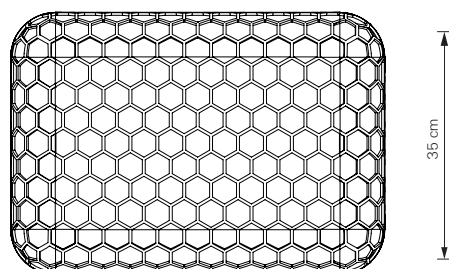
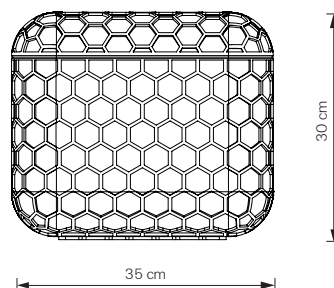
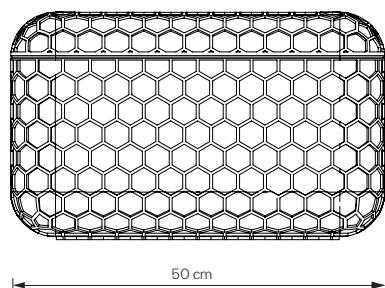
BLACK

WHITE



# NIKA ZUPANC®

## Sugar Cube



DESIGN : NIKA ZUPANC | YEAR OF DESIGN : 2010 | PRODUCT CODE: CSG10 | PRODUCTION : Rotomolding

### TECHNICAL

PRODUCT DIMENSIONS: 50 (W) x 35 (D) x 30 (H), dimension inside: 44 (W) x 29 (D) x 22 (H)

PRODUCT WEIGHT: 4 KG

### PACKAGING

PACKAGING DIMENSIONS : 51 (W) x 36 (D) x 31 (H)

PACKAGE WEIGHT: 0,5 KG, 4,5 KG together

### MAINTAINANCE

The body: Remove dirt with a soft sponge, using plenty of water. Attention!: Use no cleaning substance. Fuel and chemical solvents attack the material.

### INSTRUCTIONS

To avoid danger of suffocation, remove this plastic cover before using the article. This cover should then be destroyed or kept away from babies and children.

Product should be placed on a horizontal floor.

Do not use this product if broken, torn or missing.

Never leave the child playing with this product unattended.

Be aware of the risk of open fires and other sources of strong heat, such as electric bar fires, gas fires, etc. (the distance should always be at least 2m).

Support +386 51 690 009

# NIKA ZUPANC®

## Unfaithful Feather Duster



DESIGN : NIKA ZUPANC | YEAR OF DESIGN : 2007 | PRODUCT CODE: FD09-01 | PRODUCTION : Hand made

### DESCRIPTION:

Home accessory

### MATERIALS

Handle - ABS lacquered in black piano finish / real ostrich feathers / luxury card box (laminated with leather texture canvas or black suede), red interior, logo printed in gold hot foil



### COLOR COMBINATIONS:

BLACK



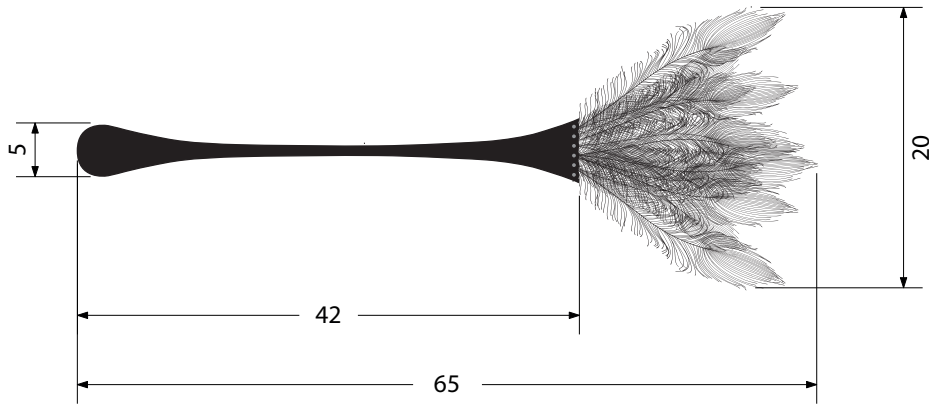
SKIN COLOR





# NIKA ZUPANC®

## Unfaithful Feather Duster



DESIGN : NIKA ZUPANC | YEAR OF DESIGN : 2007 | PRODUCT CODE: FD09-01 | PRODUCTION : Hand made

### TECHNICAL

PRODUCT DIMENSIONS: 76 (W) x 20 (D) x 20 (H) cm

PRODUCT WEIGHT: 0,7 kg

### PACKAGING

PACKAGING DIMENSIONS : 72 (W) x 8 (D) x 8,5 (H) cm

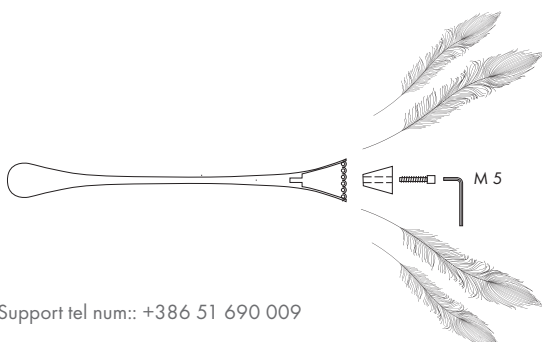
PACKAGE WEIGHT: 1.1 kg

Unfaithful is wrapped in red paper and put in a gift box + additional cardbox

### MAINTAINANCE, INSTRUCTIONS

Keep out of direct sunlight, away from fire, and out of reach of children under 3 years. Natural ostrich feathers - colors may vary.

Broken or lost feathers can easily be replaced as shown in the illustration.



Support tel num:: +386 51 690 009